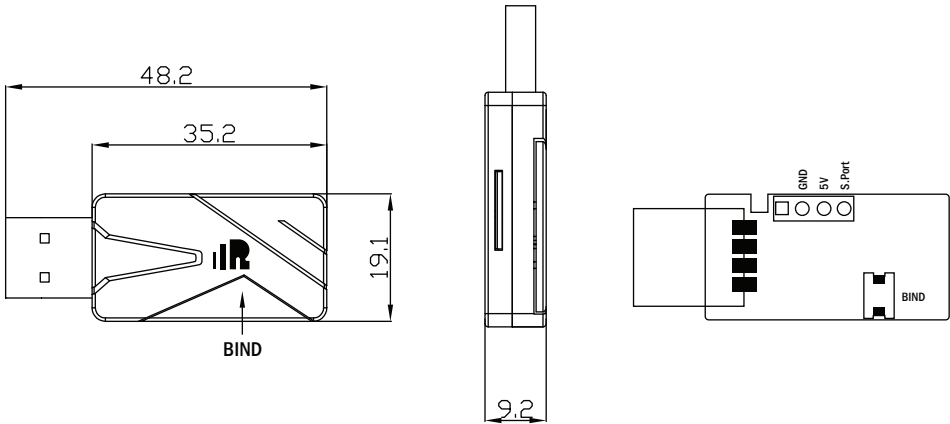


Introduction

The FrSky Wireless USB Dongle For Simulator (Model name: XSR-SIM) allows you to wirelessly connect your FrSky transmitter to computer to use simulator. Then bind your transmitter to it, now you can move freely while using a simulator.

Overview



Specifications

- Size: 48.2*19.1*9.2mm (L*W*H)
- Compact design
- Low power requirements: typically 55mA
- Compatible with FrSky transmitters and module systems (Mode D16)
- Compatible with popular simulators (DRL、LiftOff、Freerider、HotProps、 etc.)
- 8 proportional channel and 8 switch channel output (set on the transmitter side)
- Firmware Upgradable (through the S.Port)

LED Status

Green LED	Red LED	Status
ON	Flashing	Binding
Flashing	OFF	Normal
OFF	Flashing	Signal Lost

Binding Procedure

Follow the steps below to finish the binding procedure.

1. Put the transmitter RF module into binding mode

1.1 For Taranis Series transmitters, turn on the transmitter, go to the MENU-MODEL SETUP—PAGE 2, choose Internal or External RF-- Mode D16, then select Bind (OpenTX 2.2.2 and its improved versions are strongly recommended).

1.2 For Horus Series transmitters, turn on the transmitter, go to RF SYSTEM—Mode D16, choose Internal or External RF, and select BIND under STATE.

- 1.3 For transmitter modules (XJT as an example), choose D16 mode first, and turn on External RF on the transmitter while holding the F/S button on the module, release the button and the RED LED on XJT module will flash.
2. Power on the USB Dongle while holding its BIND button. The RED LED on the receiver will flash and the GREEN LED is on, indicating the binding process is completed.
3. Exit the Bind mode and power off the USB Dongle.
4. Power on the USB Dongle, the GREEN LED is flashing and The RED LED is off, indicating the USB Dongle is receiving commands from the transmitter. The USB Dongle / transmitter module binding will not have to be repeated, unless one of the two is replaced.

FrSky is continuously adding features and improvements to our products. To get the most from your product, please check the download section of the FrSky website www.frsky-rc.com for the latest update firmware and manuals