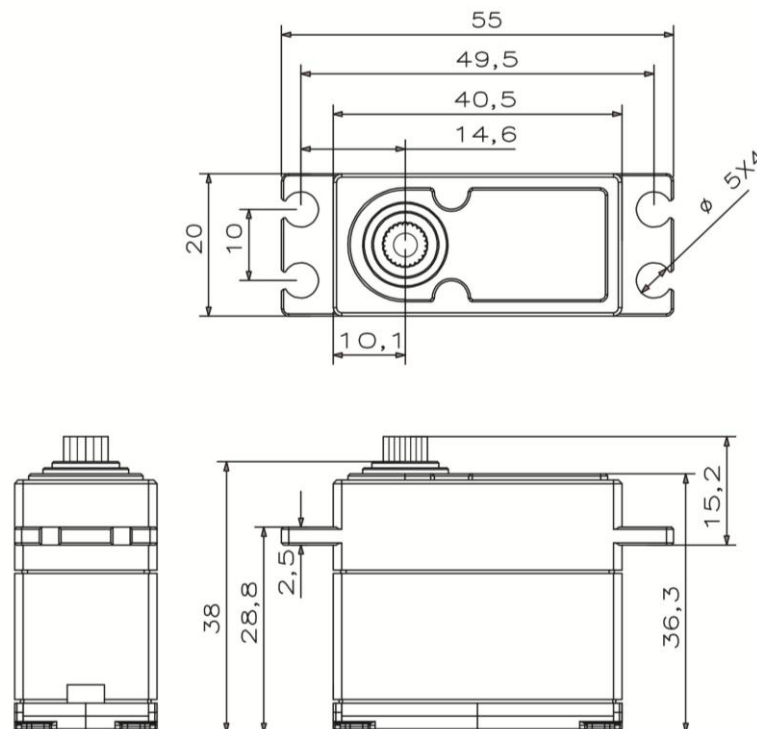


# BLS825 V8.0 with Soft Start

## Technical Specification



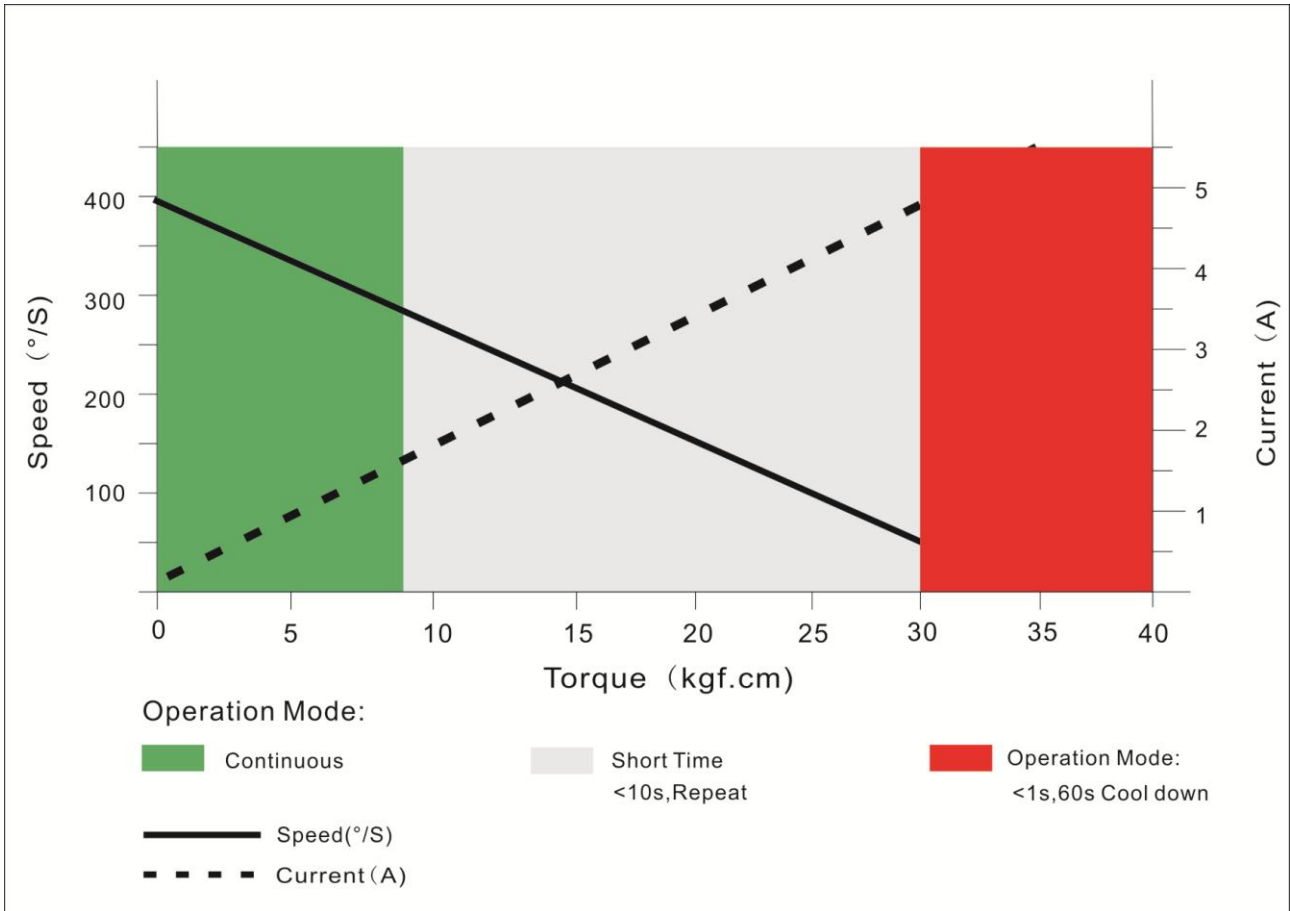
# Operating Data

	<b>BLS825</b>
<b>Operation Voltage(rated)</b>	DC7.4V
<b>Operation Voltage Range</b>	DC6V-8.4V
<b>Torque</b>	25kg.cm@6.0V
	30Kg.cm@7.4V
	35kg.cm@8.4V
<b>Speed</b>	0.15sec/60 °@6.0V
	0.13sec/60 °@7.4V
	0.11sec/60 °@8.4V
<b>Travel Angle</b>	±45° when 1000-2000us
<b>Operating Temperature Range</b>	-10°C ……+65°C

# Performance

**BLS825**

**@7.4V**



## PWM Command Signal

PWM	BLS825
Signal Voltage	TTL-Level: HIGH:min.3.3V,max.5.0V TTL-Level: Low:min.0.0V,max.0.5V
Pulse Lengths	900-2100us
Pulse Lengths for Position $-45^\circ$ /center/ $+45^\circ$	1000us/1500us/2000us
Resolution	<2us

### Materials and protective features

Case Material	Aluminum Alloy
Splash Surface Treatment	
Salt Water Resistance	
EMI/RFI Shielding	
Motor Type	Brushless
Gear Set Material	Steel
Position Sensor	Potionmeter
Position Feedback	Optional
Shielded Connecting Cable	22AWG

### Dimensions

Case Dimensions	40.5*20*38mm
Weight	70g