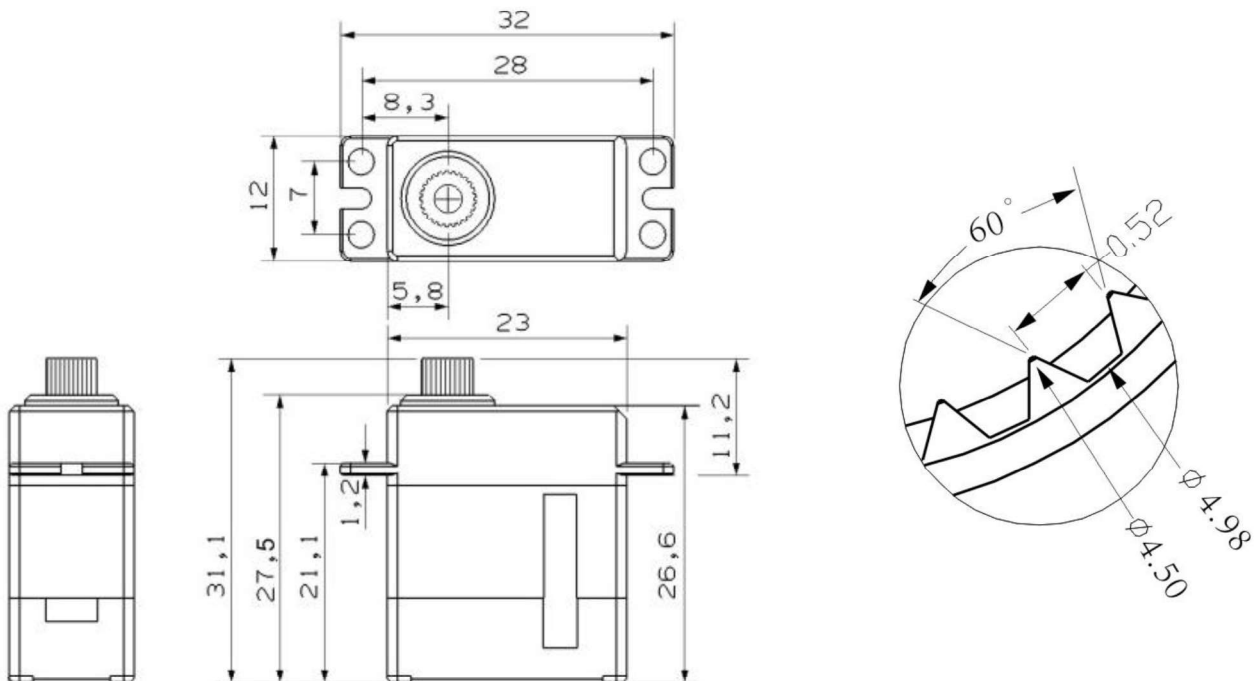




X12-508 V8.0

Technical Specification



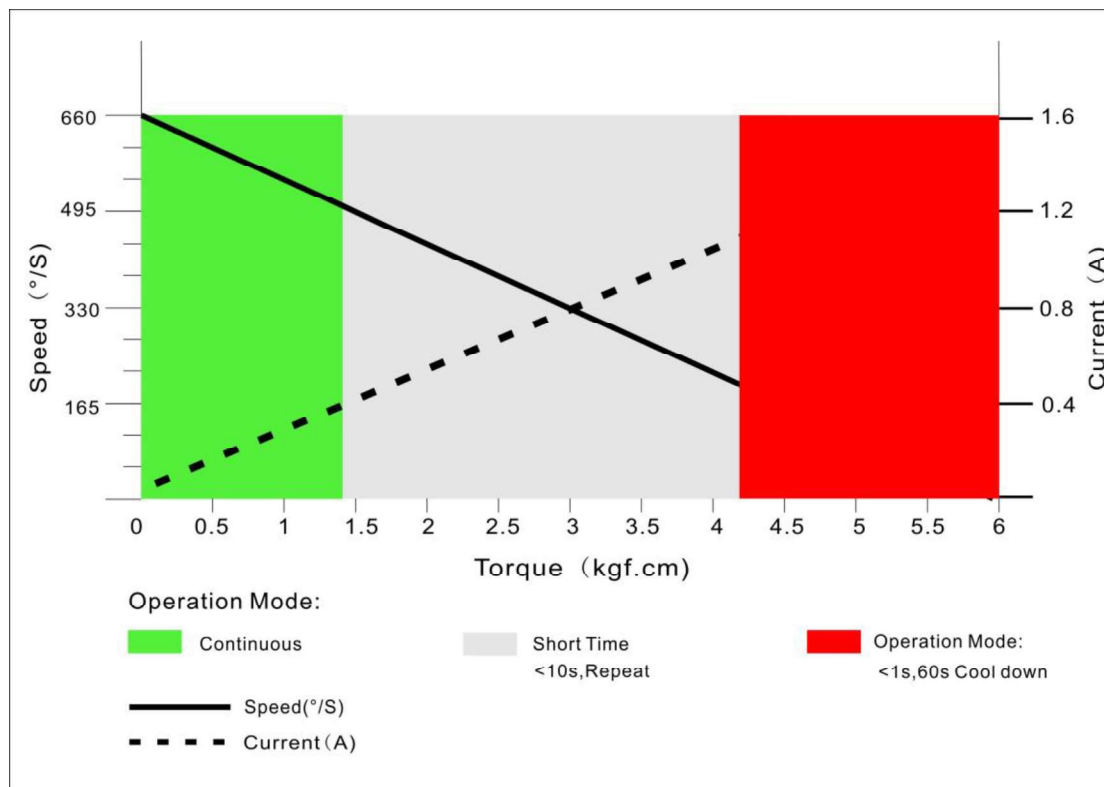
KST[®] Operating Data

	X12-508
Operation Voltage(rated)	DC7.4V
Operation Voltage Range	DC4.8V-8.4V
Torque	4.2Kg.cm@6.0V
	5.2Kg.cm@7.4V
	6.20Kg.cm@8.4V
Speed	0.09sec/60°@6.0V
	0.08sec/60°@7.4V
	0.07sec/60°@8.4V
Travel Angle	±50° when 1000-2000us
Operating Temperature Range	-20°C+65°C

Performance

X12-508

@6.0V



PWM Command Signal

PWM	X12-508
Signal Voltage	TTL-Level: HIGH:min.3.3V,max.5.0V TTL-Level: Low:min.0.0V,max.1.5V
Pulse Lengths	900-2100us
Pulse Lengths for Position -50° /center/ $+50^{\circ}$	1000us/1500us/2000us
Resolution	$\leq 2\mu\text{s}$

Materials and protective features

Case Material	Aluminum Alloy
Motor Type	Coreless
Gear Material	Hardened Steel
Position Sensor	Potentiometer
Position Feedback	Optional (PWM signal ,305Hz,5mA)
Connecting Cable	26AWG

Dimensions

Case Dimensions	23*12*27.5mm
Weight	20g