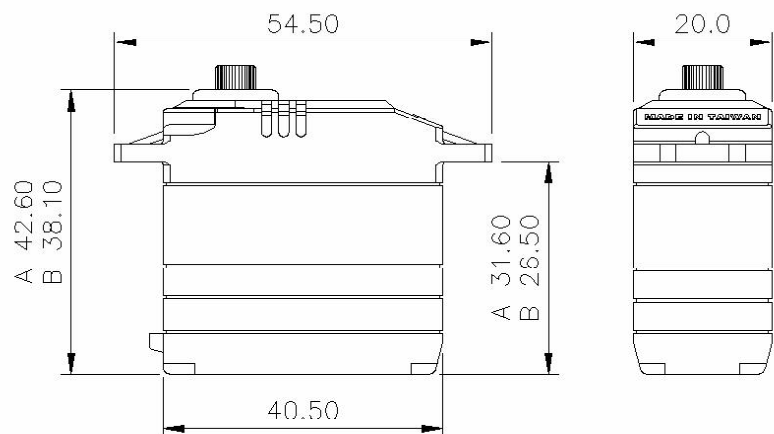


Particular Specification

Item No:	BMS-631
Weight:	43 grams / 1.52 oz.
Size:	40.5 x 20 x 38.5 mm / 1.60 x 0.78 x 1.54 in.
Torque At 4.8V:	5.0kg-cm , 69 oz-in
Torque At 6.0V:	6.2kg-cm , 89 oz-in
Speed At 4.8V:	0.10 sec / 60° at no load
Speed At 6.0V:	0.08 sec / 60° at no load
Ball Bearing:	Dual / M9x7
Metal Gears:	No, All of nylon gears
Motor Type:	Double magnetic motor
Operating Voltage Range	4.8V to 6.0V
Operating Temperature Range	-20°C to +60°C
Idle Current	5mA at Stopped
Running Current	390mA
Stall Current	1100mA
Dead Bend Width	6 usec
Direction	Re-clock wise / pulse traveling 1500 to 1800 usec
Horn Gear Spline	25 Segments / (Same as Futaba)
Connector Wire Length	300mm (11.81in)
Connector Horsing	Universal connector
Wire Info	Brown Wire = Battery Negative Red Wire = Battery Positive Orange Wire = Signal



Unit: mm