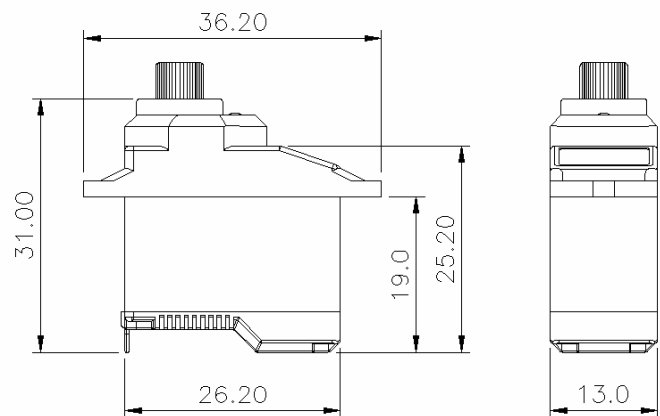
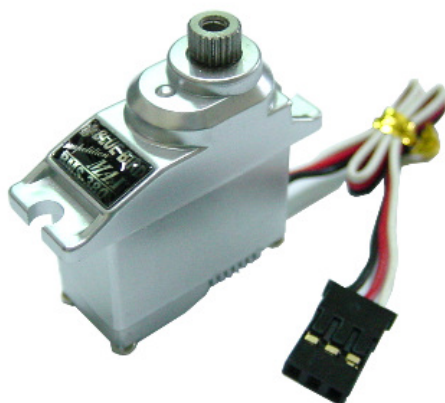


Particular Specification

Item No:	BMS-380MAX
Weight:	16.4grams / 0.58oz
Size:	26 x 13 x 26 mm / 1.16 x 0.51 x 1.02 inch
Torque At 4.8V:	4.2kg/cm , 57 oz/in
Torque At 6.0V:	4.7kg/cm , 62 oz/in
Speed At 4.8V:	0.16sec / 60 deg at no load
Speed At 6.0V:	0.14sec / 60 deg at no load
Ball Bearing:	Yes, Top of single ball bearing
Metal Gears:	Yes, Two of aluminum gears, one of copper gear, one of nylon gear
Motor Type:	2 pole magnetic motor
Operating Voltage Range	3.6V~6.0V
Operating Temperature Range	-20°C to +60°C
Idle Current	5mA at Stopped
Running Current	290mA
Stall Current	650mA
Dead Bend Width	8 usec
Direction	Re-clock wise / pulse traveling 1300 to 1700 usec
Horn Gear Spline	25 Segments / (Same as Futaba)
Connector Wire Length	160mm (6.29in)
Connector Horsing	Universal connector
Wire Info	Brown Wire = Battery Negative Red Wire = Battery Positive Orange Wire = Signal



Unit: mm