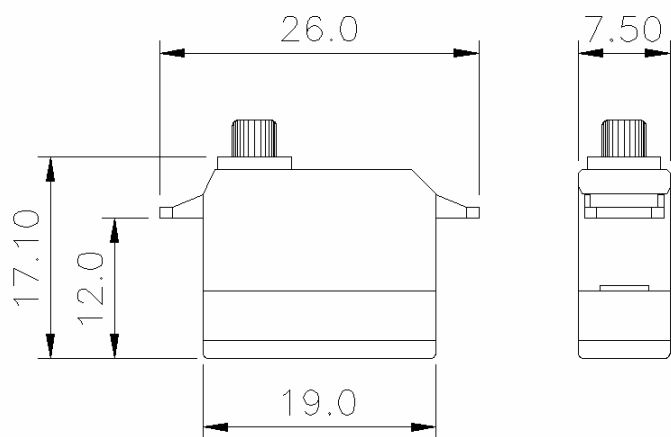


Particular Specification

Item No:	BMS-303
Weight:	3.7 grams / 0.14 oz.
Size:	19 x 7.5 x 15.5 mm / 0.75 x 0.29 x 0.61 inch
Torque At 4.8V:	0.7kg/cm , 11 oz/in
Torque At 6.0V:	
Speed At 4.8V:	0.11sec / 60 deg at no load
Speed At 6.0V:	
Ball Bearing:	No, plastic fixed
Metal Gears:	No, all of nylon gears
Motor Type:	Japan Coreless motor
Operating Voltage Range	3.6V ~ 4.8V
Operating Temperature Range	-20°C to +60°C
Idle Current	2mA at Stopped
Running Current	130mA
Stall Current	360mA
Dead Bend Width	4 usec
Direction	clock wise / pulse traveling 1700 to 2200 usec
Horn Gear Spline	20 Segments (External diameter: 3.6mm)
Connector Wire Length	130mm (5.12in)
Connector Horsing	Universal connector
Wire Info	Brown Wire = Battery Negative Red Wire = Battery Positive Orange Wire = Signal



Unit: mm